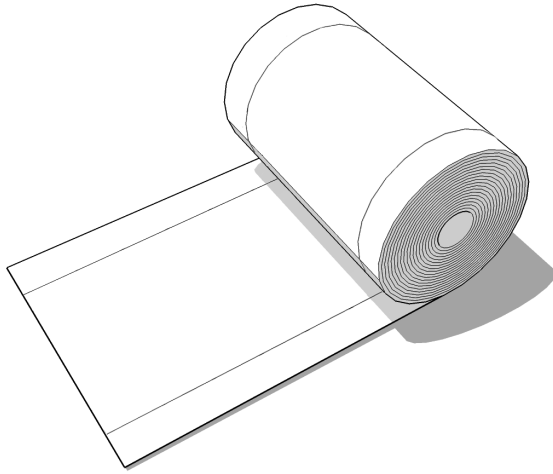


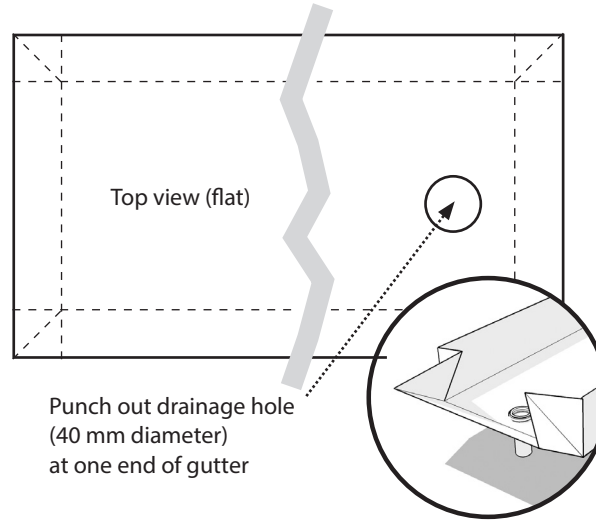
1

Spread and cut the polypropylene roll including both end sections to required length



2

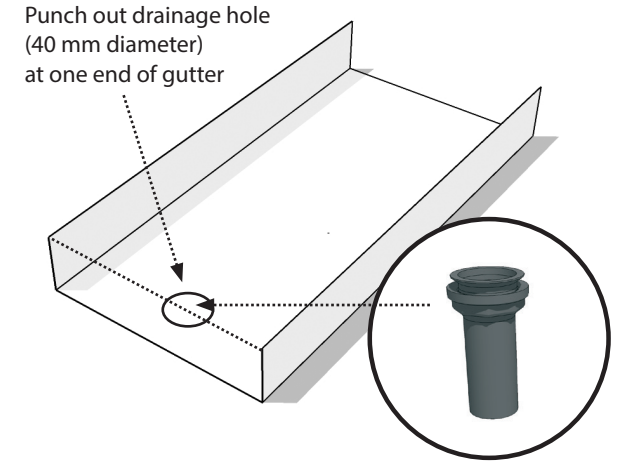
Fold the two ends of the trough



Punch out drainage hole (40 mm diameter) at one end of gutter

3

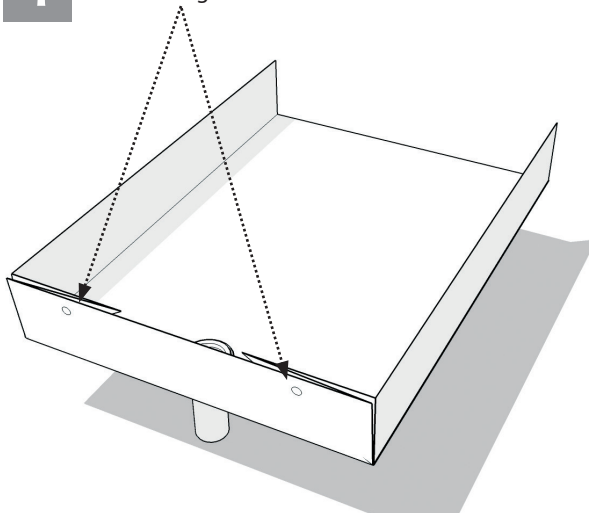
Fold the drainage gutter along the creases



Punch out drainage hole (40 mm diameter) at one end of gutter

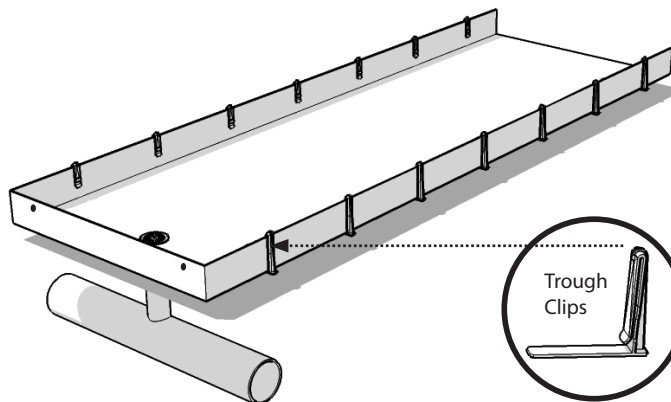
4

Insert rivets to close trough ends



5

Fold and close drainage envelope. Arrange clips along both sides of envelope every 40 cm.



Trough Clips

6

Place drainage spacer on top of envelope (optional)

