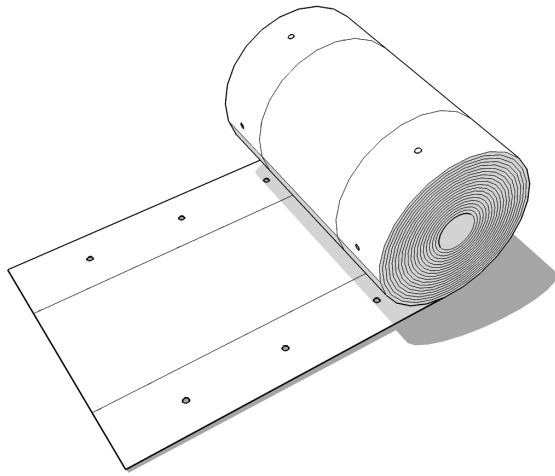


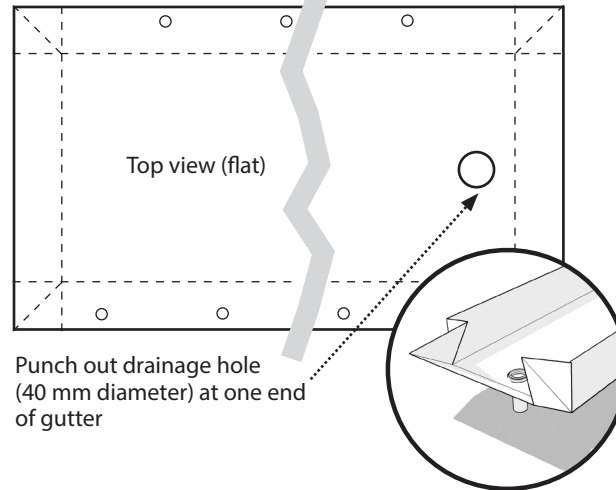
1

Spread and cut the polypropylene roll including both end sections to required length



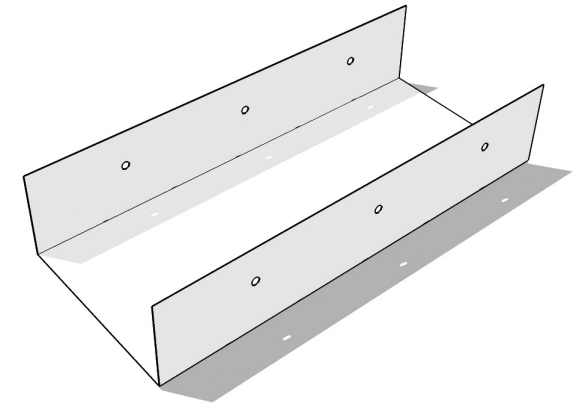
2

Fold the two ends of the trough



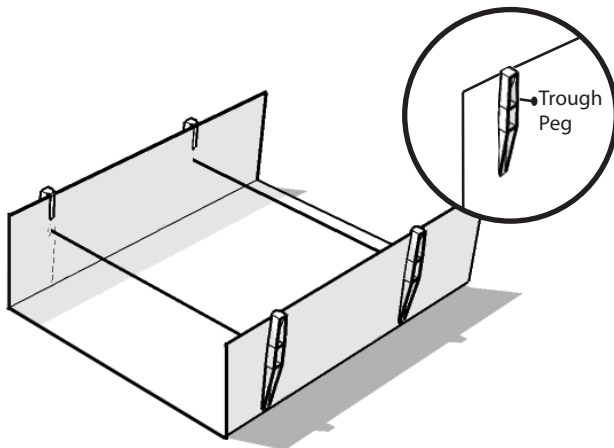
3

Fold the trough along the creases



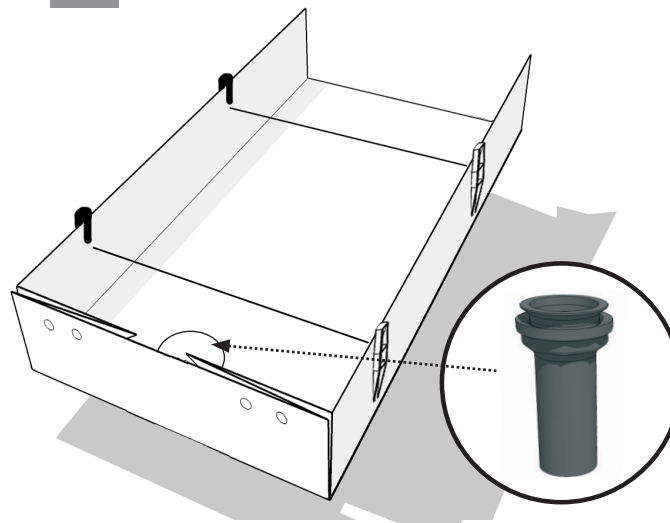
4

Thread the polypropylene laces through the hole in the trough and the peg and lock into the bottom position. Attach the "pen clip" of the peg onto the upper lip of the trough



5

Insert drainage outlet into drainage hole



6

Insert rivets to close trough ends

